

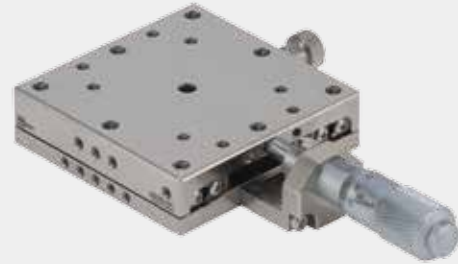








MX60-SC



MX60-SS



MY60-SC



MY60-SS

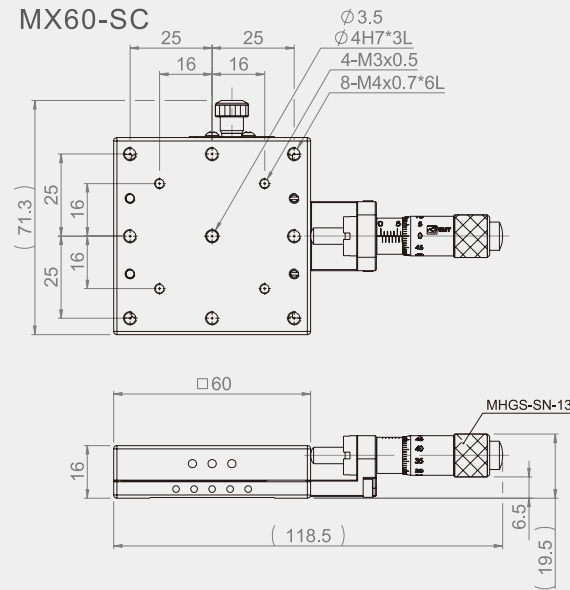


Specification

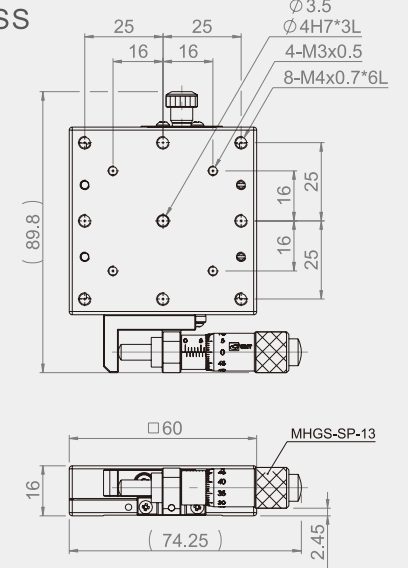
Unit : mm

Model No.	Table Size	Axis	Feed Position	Travel Stroke	Micrometer Minimum Reading (μm)	Straightness Accuracy (μm)	Allowable Loading (kgf)	Weight (kg)	Material	Surface Finish
MX60-SC	60*60	X-axis	Central	±6.5	10	3	20	0.4	SUS 440C	Electroless nickel plating
MX60-SS			Side							
MY60-SC		XY-axis	Central				19.6	0.8		
MY60-SS			Side							

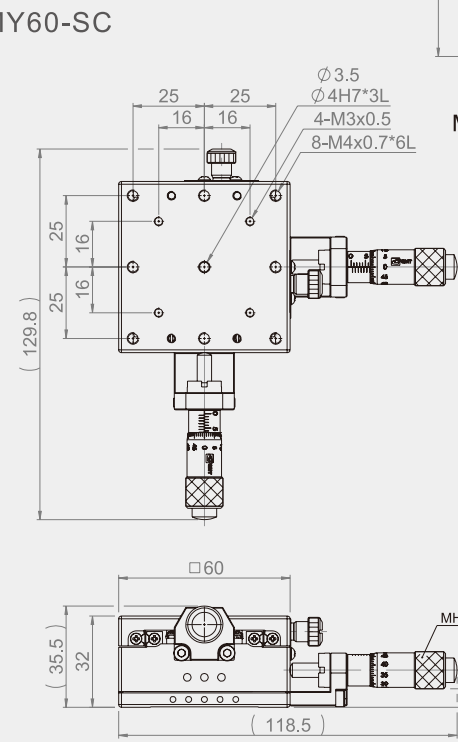
MX60-SC



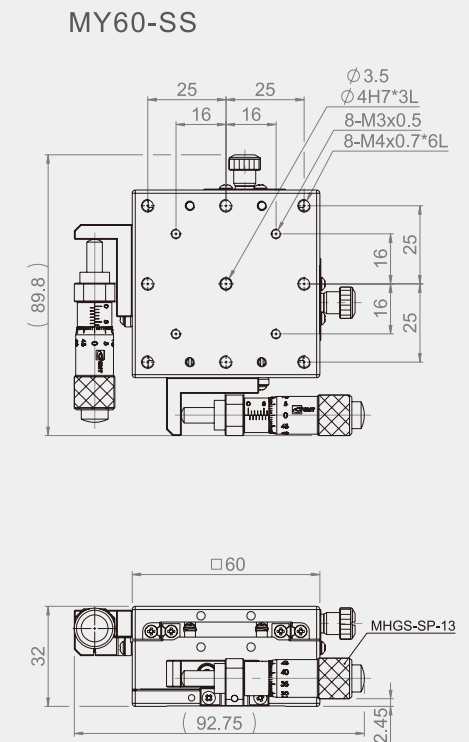
MX60-SS



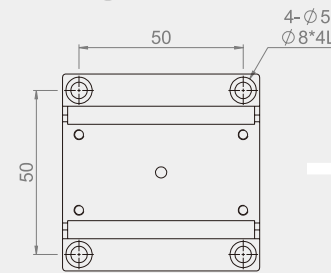
MY60-SC



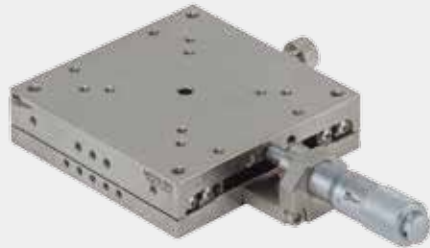
MY60-SS



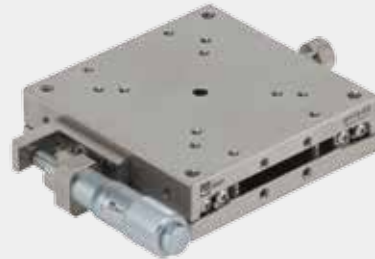
MX(Y)60-S  
Mounting Dimensions



MX70-SC



MX70-SS



MY70-SC



MY70-SS

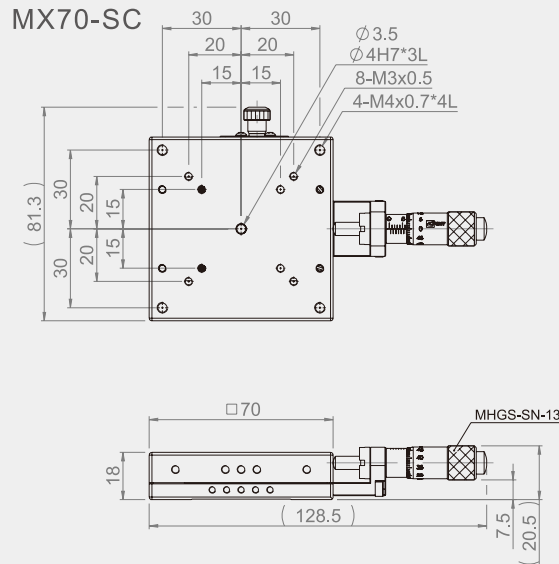


Specification

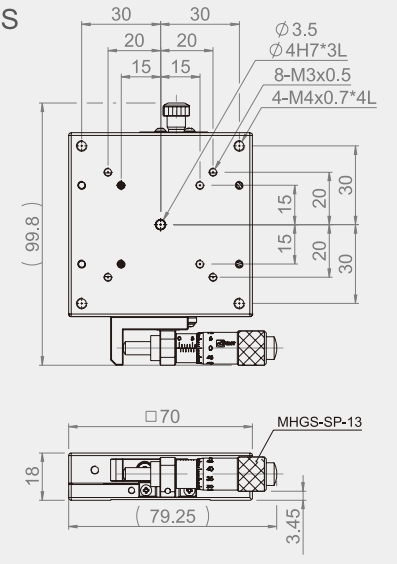
Unit : mm

Model No.	Table Size	Axis	Feed Position	Travel Stroke	Micrometer Minimum Reading (μm)	Straightness Accuracy (μm)	Allowable Loading (kgf)	Weight (kg)	Material	Surface Finish
MX70-SC	70*70	X-axis	Central	±6.5	10	3	23	0.58	SUS 440C	Electroless nickel plating
MX70-SS			Side							
MY70-SC		XY-axis	Central				22.4	1.16		
MY70-SS			Side							

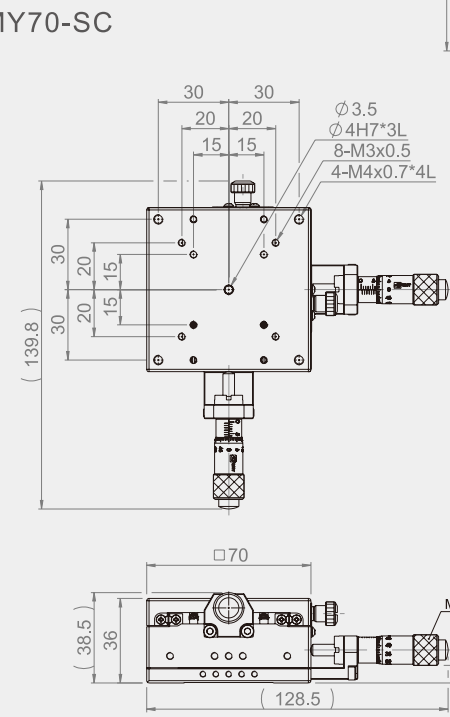
MX70-SC



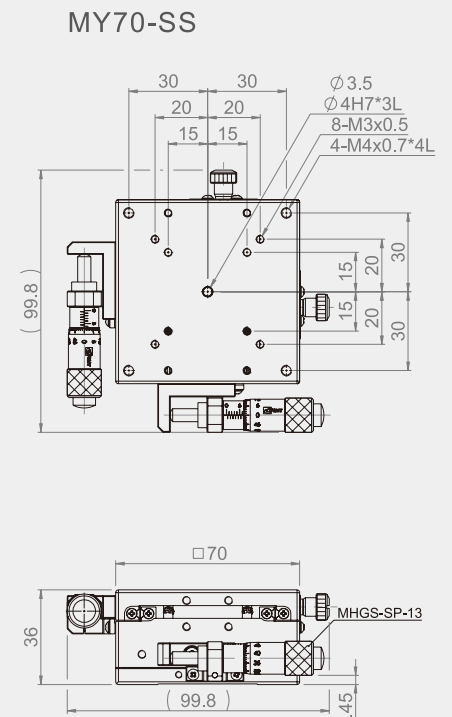
MX70-SS



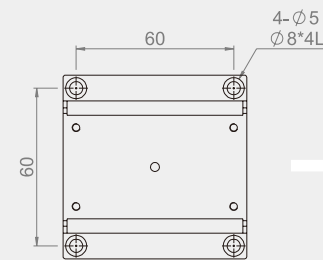
MY70-SC



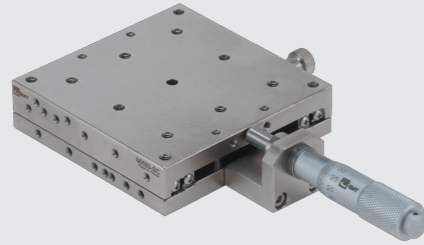
MY70-SS



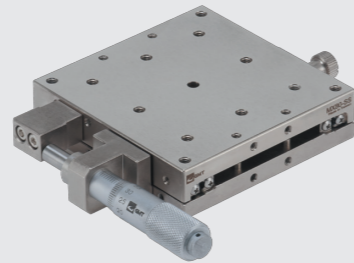
MX(Y)70-S  
Mounting Dimensions



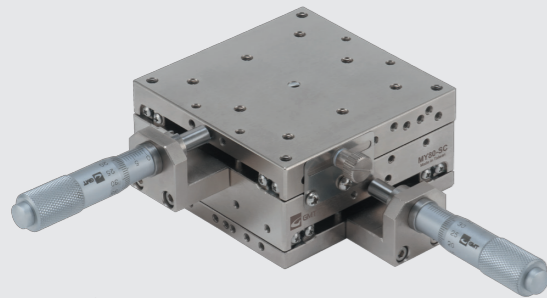
MX80-SC



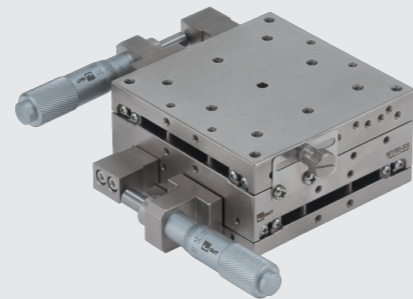
MX80-SS



MY80-SC



MY80-SS

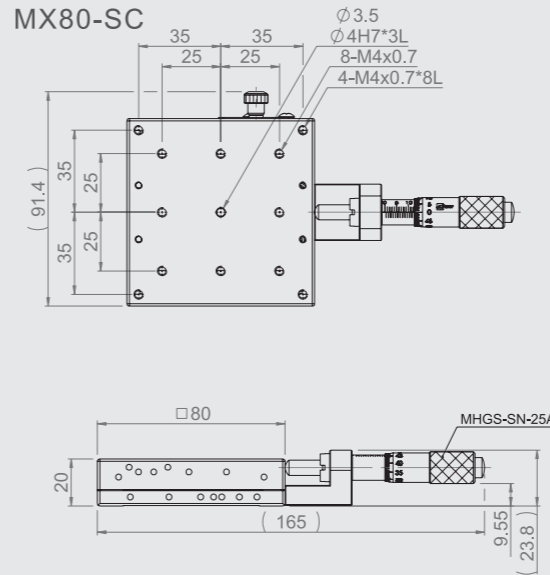


Specification

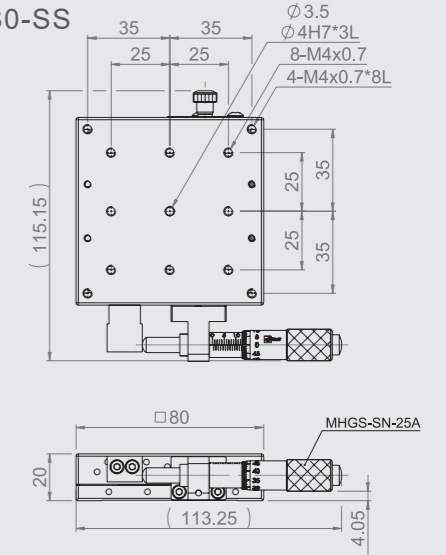
Unit : mm

Model No.	Table Size	Axis	Feed Position	Travel Stroke	Micrometer Minimum Reading (μm)	Straightness Accuracy (μm)	Allowable Loading (kgf)	Weight (kg)	Material	Surface Finish
MX80-SC	80*80	X-axis	Central	±12.5	10	3	27	0.9	SUS 440C	Electroless nickel plating
MX80-SS			Side							
MY80-SC		XY-axis	Central				26.1	1.8		
MY80-SS			Side							

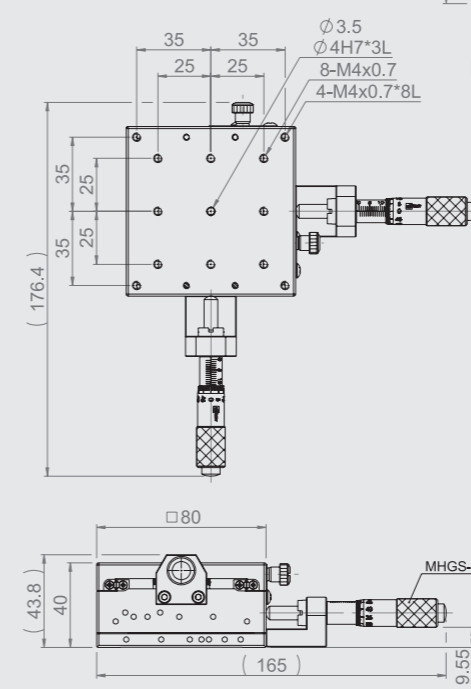
MX80-SC



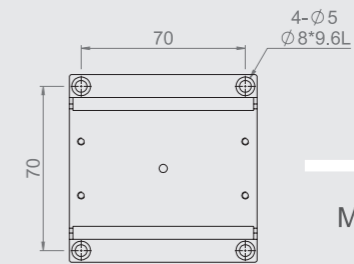
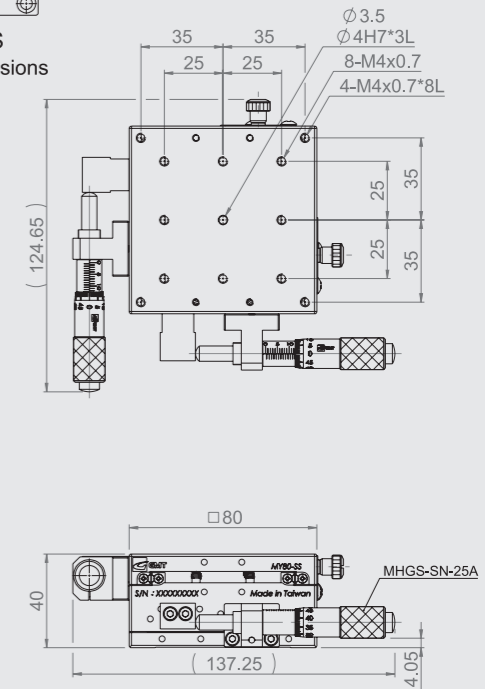
MX80-SS



MY80-SC



MY80-SS



MX(Y)80-S  
Mounting Dimensions

