

Product
Specification
**Positioning
Stages**

MZL60-ACR



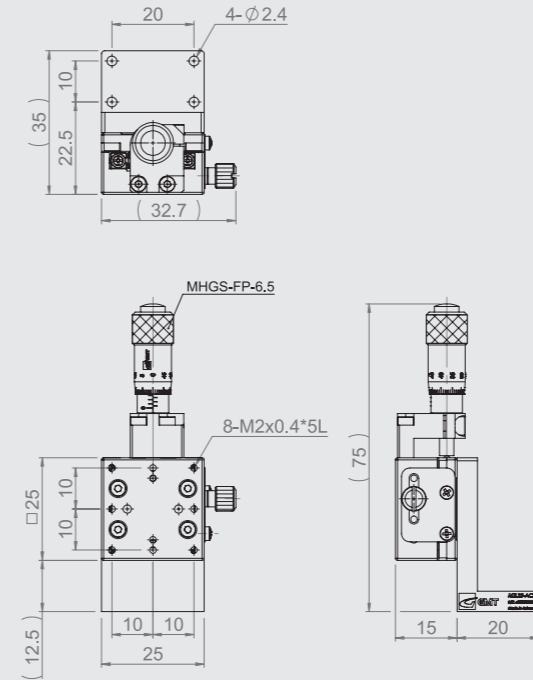
Specification

Unit : mm

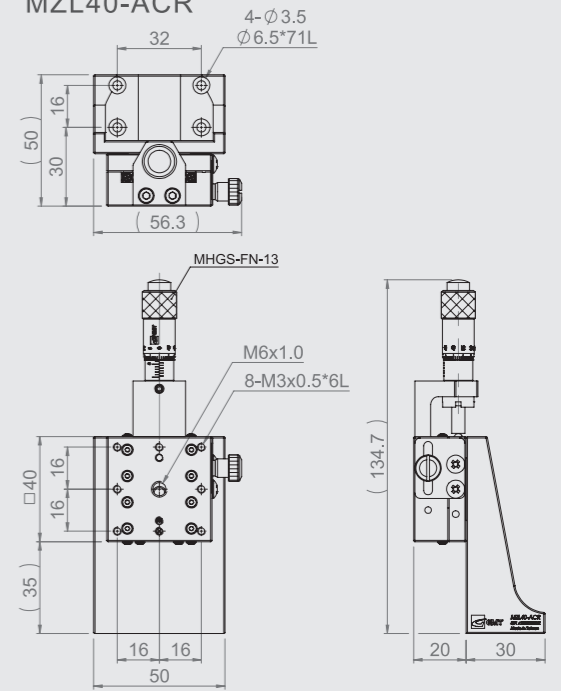
Model No.	Table Size	Travel Distance	Micrometer Minimum Reading (μm)	Movement Accuracy			Allowable Loading (kgf)	Weight (kg)	Material	Surface Finish
				Straightness (μm)	Pitching	Yawing				
MZL25-ACR	25*25	±3.2	10	3	25"	15"	0.5	0.06	Aluminum alloy	Black anodized
MZL40-ACR	40*40	±6.5					1.0	0.2		
MZL60-ACR	60*60	±12.5					2.0	0.45		
MZL80-ACR	80*80	±12.5					5.0	0.8		

★ Brackets spec for Z-axis, refer to P.0195 ~ P.0196

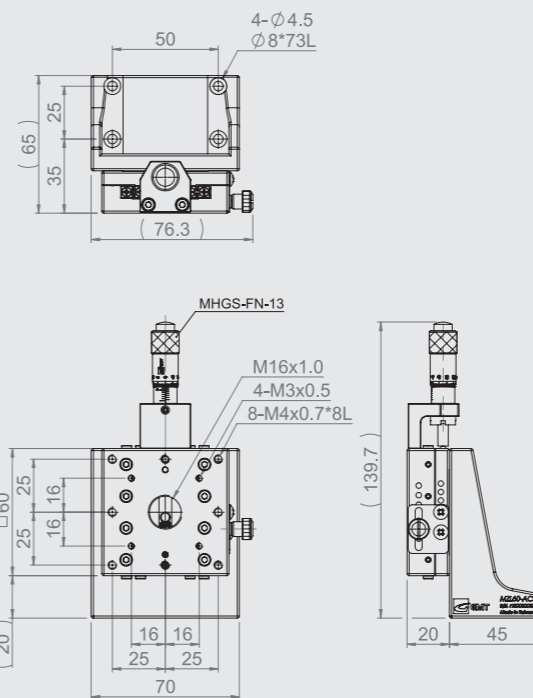
MZL25-ACR



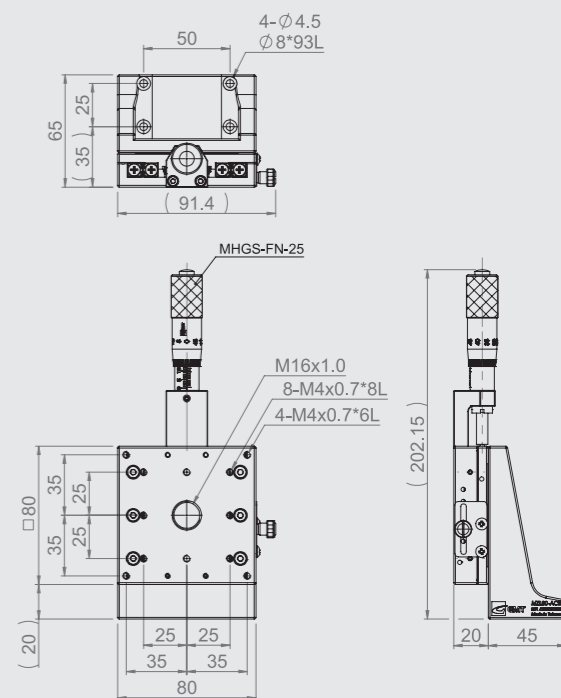
MZL40-ACR



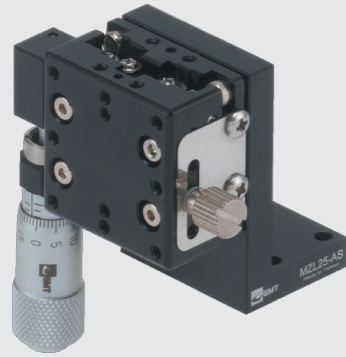
MZL60-ACR



MZL80-ACR



MZL25-AS



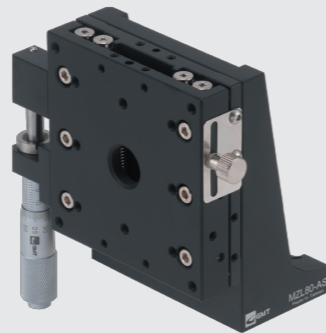
MZL40-AS



MZL60-AS



MZL80-AS



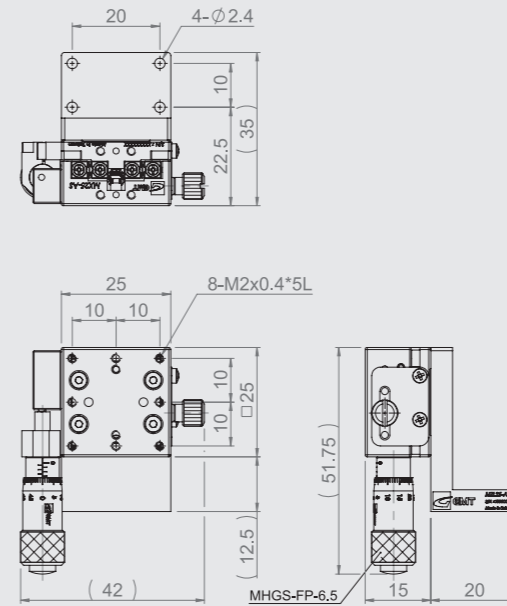
Specification

Unit : mm

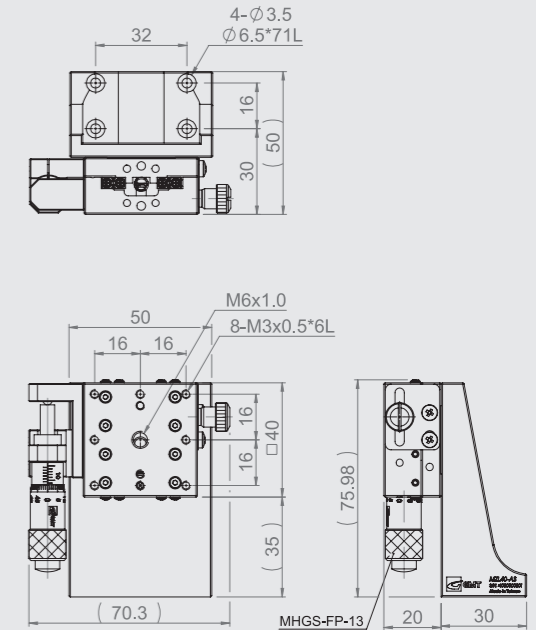
Model No.	Table Size	Travel Distance	Micrometer Minimum (μm)	Movement Accuracy			Allowable Loading (kgf)	Weight (kg)	Material	Surface Finish
				Straightness (μm)	Pitching	Yawing				
MZL25-AS	25*25	±3.2	10	3	30"	20"	0.5	0.06	Aluminum alloy	Black anodized
MZL40-AS	40*40	±6.5			25"	15"	1.0	0.2		
MZL60-AS	60*60				2.0	0.45				
MZL80-AS	80*80				±12.5	5.0	0.8			

★ Brackets spec for Z-axis, refer to P.0195 ~ P.0196

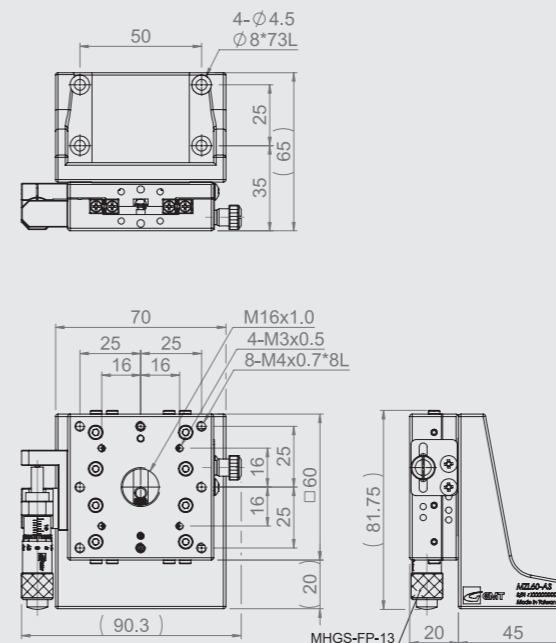
MZL25-AS



MZL40-AS



MZL60-AS



MZL80-AS

